



# POLYMER CONCRETE BOX & COVER



## MODEL 4896/48 PC

### COVER

Dimensions*	95" x 47 1/2" x 3"
Material	Polymer Concrete
Style	Multi-piece Flush Split
Fasteners	3/8-16 x 3" SS Hex Bolt
Lift points	1/4" SS Rod

Custom logo available

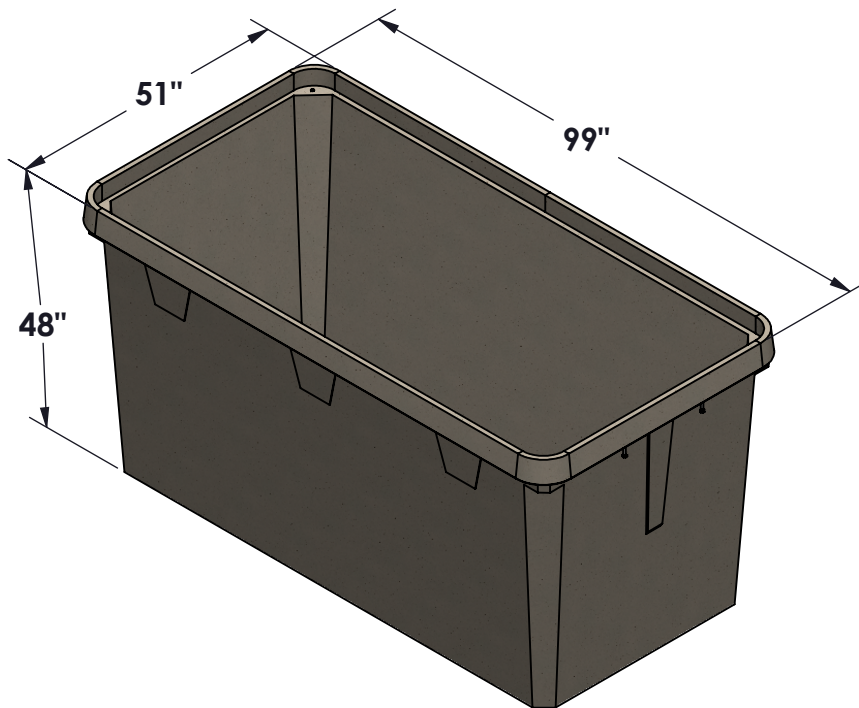
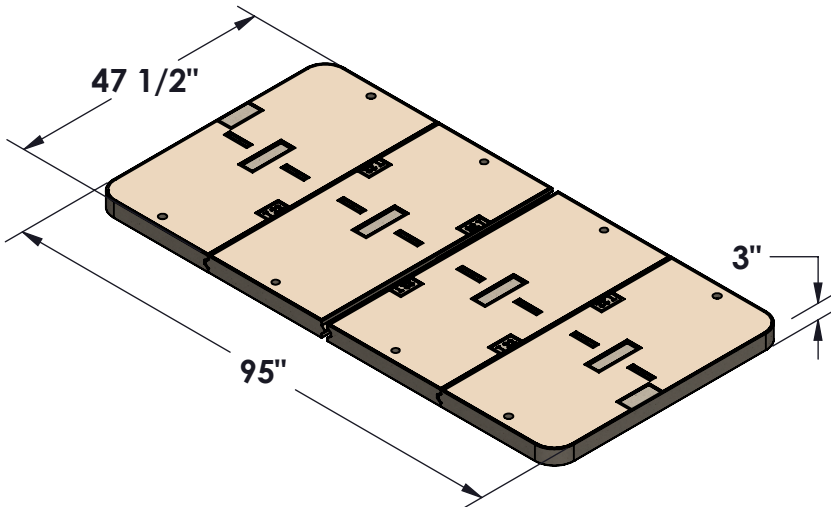
### Body

Dimensions*	99" x 51" x 48"
Material	Polymer Concrete

Additional body depths available

### Notes

Rating Tier 22



\* All dimensions & weights are approximate.

### Lateral Loading Requirements

Design Load: 800lbs/sq. ft  
Test Load: 1200lbs/sq. ft

### Vertical Loading Requirements

Design Load: 22,500lbs  
Test Load: 33,750lbs