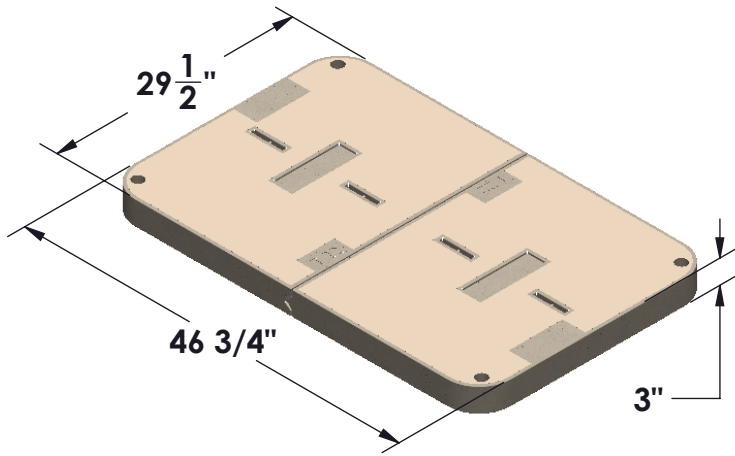




# POLYMER CONCRETE BOX & COVER



## MODEL 3048/48 PC



### COVER

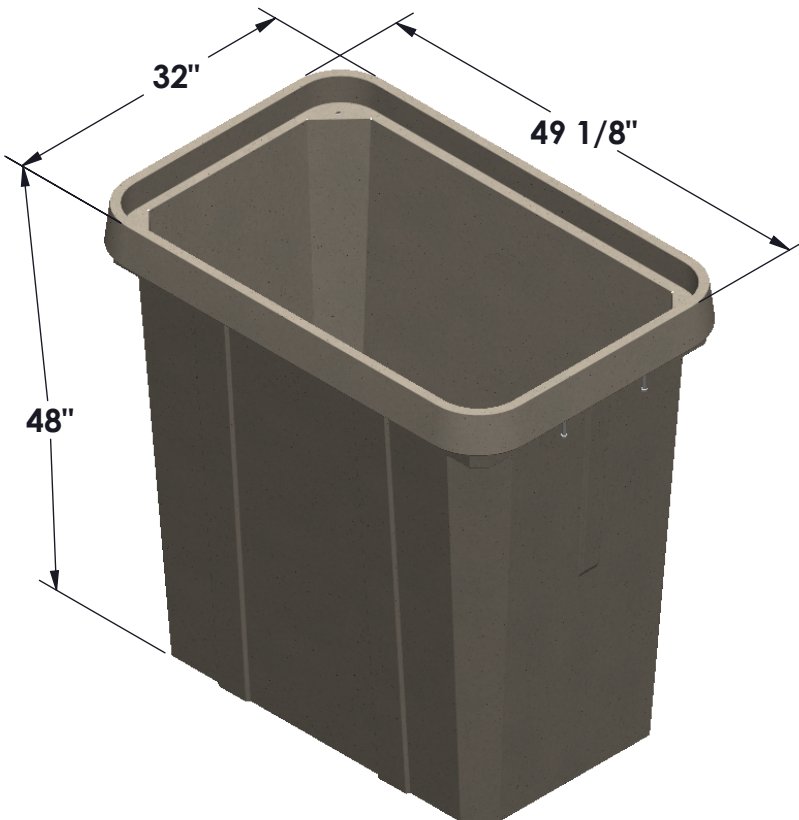
Dimensions*	46 3/4" x 29 1/2" x 3"
Material	Polymer Concrete
Style	Flush Split
Fasteners	3/8-16 x 3" SS Hex Bolt
Lift points	1/4" SS Rod

Custom logo available

### Body

Dimensions*	49 1/8" x 32" x 48"
Material	Polymer Concrete

Additional body depths available



### Notes

Rating Tier 22

\* All dimensions & weights are approximate.

### Lateral Loading Requirements

Design Load: 800lbs/sq. ft  
Test Load: 1200lbs/sq. ft

### Vertical Loading Requirements

Design Load: 22,500lbs  
Test Load: 33,750lbs