

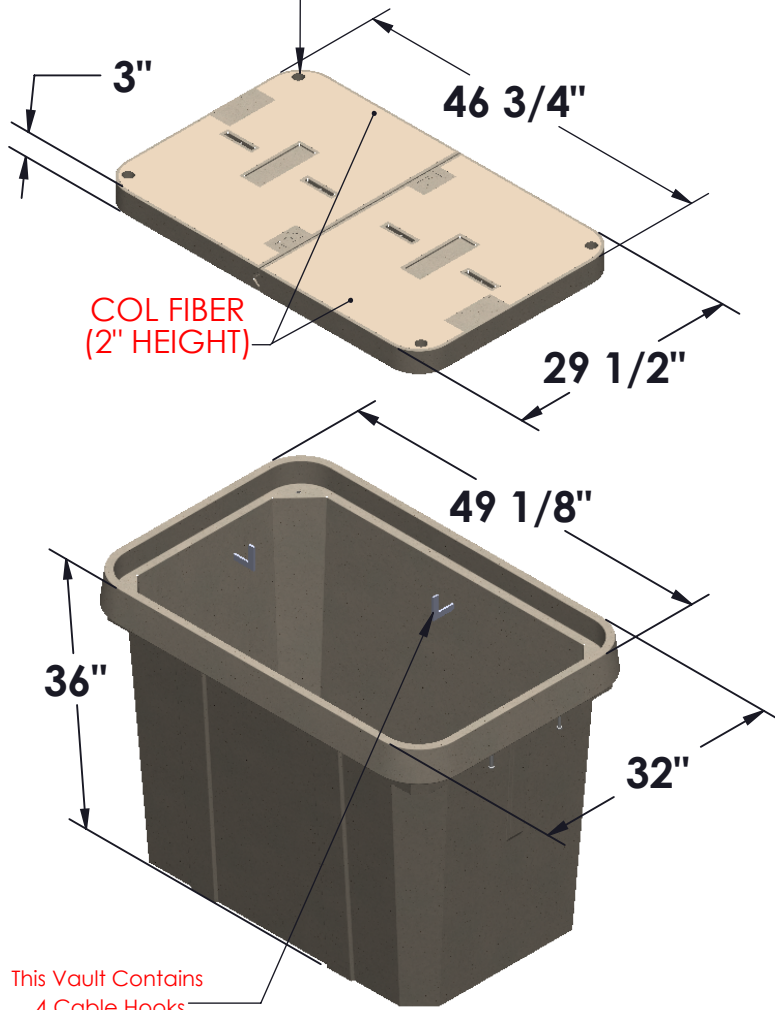


POLYMER CONCRETE BOX & COVER



MODEL 3048/36 PC

This Vault has Penta Head Security Bolts.



COVER

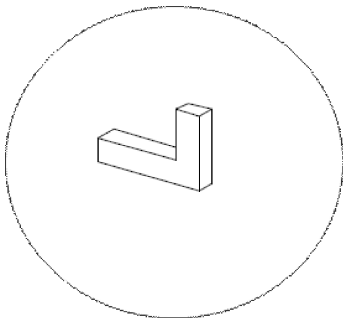
| | |
|-------------|---------------------------|
| Dimensions* | 46 3/4" x 29 1/2" x 3" |
| Material | Polymer Concrete |
| Style | Flush Split |
| Fasteners | 3/8-16 x 3" SS Penta Bolt |
| Lift points | 1/4" SS Rod |

Body

| | |
|-------------|---------------------|
| Dimensions* | 49 1/8" x 32" x 36" |
| Material | Polymer Concrete |

Notes

Rating Tier 22



This Vault Contains
4 Cable Hooks

* All dimensions & weights are approximate.

Lateral Loading Requirements

Design Load: 800lbs/sq. ft
Test Load: 1200lbs/sq. ft

Vertical Loading Requirements

Design Load: 22,500lbs
Test Load: 33,750lbs