



POLYMER CONCRETE BOX & COVER



MODEL 1730/24 PC

COVER

Dimensions*	29-7/8" x 16-7/8" x 2"
Material	Polymer Concrete
Style	Single Piece
Fasteners	3/8-16 x 3" SS Hex Bolt
Lift points	1/4" SS Rod

Custom logo available

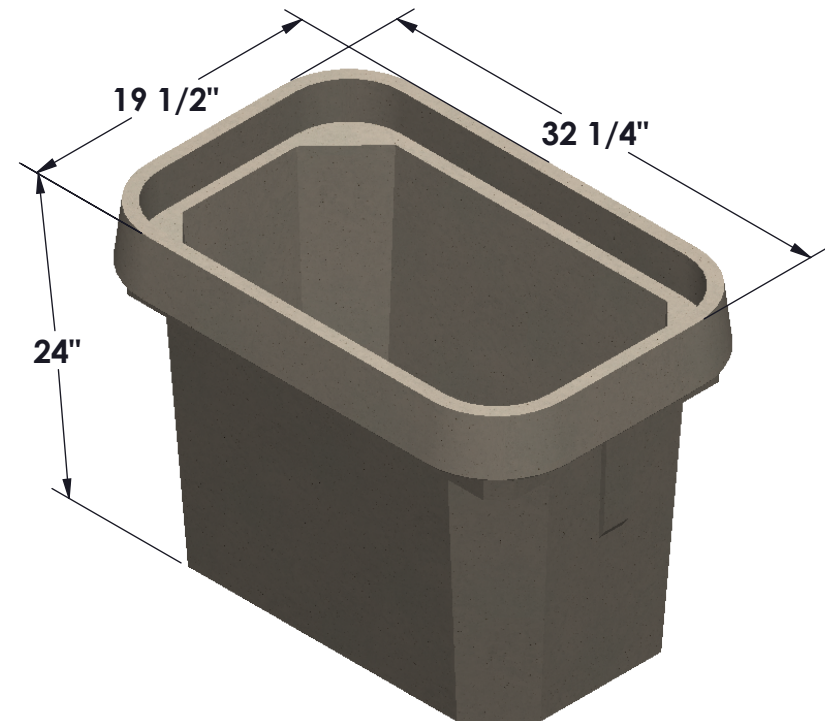
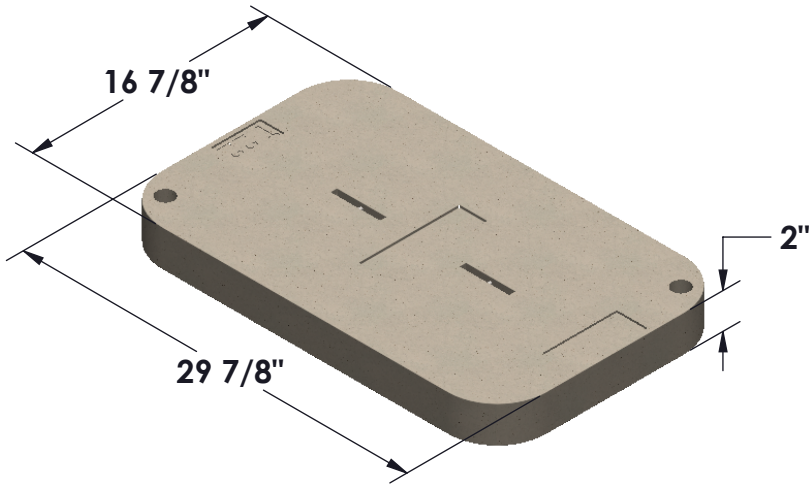
Body

Dimensions*	32 1/4" x 19 1/2" x 24"
Material	Polymer Concrete

Additional body depths available

Notes

Rating Tier 22



* All dimensions & weights are approximate.

Lateral Loading Requirements

Design Load: 800lbs/sq. ft
Test Load: 1200lbs/sq. ft

Vertical Loading Requirements

Design Load: 22,500lbs
Test Load: 33,750lbs