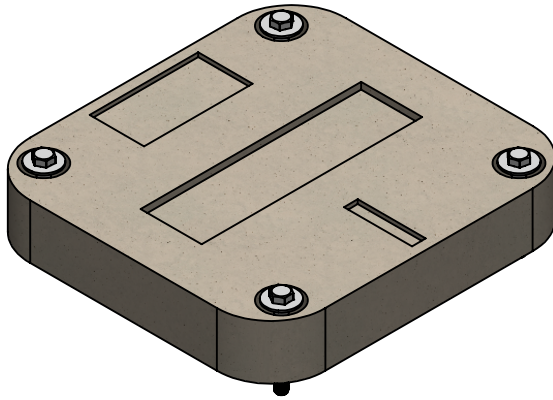




POLYMER CONCRETE BOX & COVER



MODEL 1212/12 PC



COVER

Dimensions*	12" x 12" x 1"
Material	Polymer Concrete
Style	Single Piece
Fasteners	3/8-16 x 3" SS Hex Bolt
Lift points	1/4" SS Rod

Custom logo available

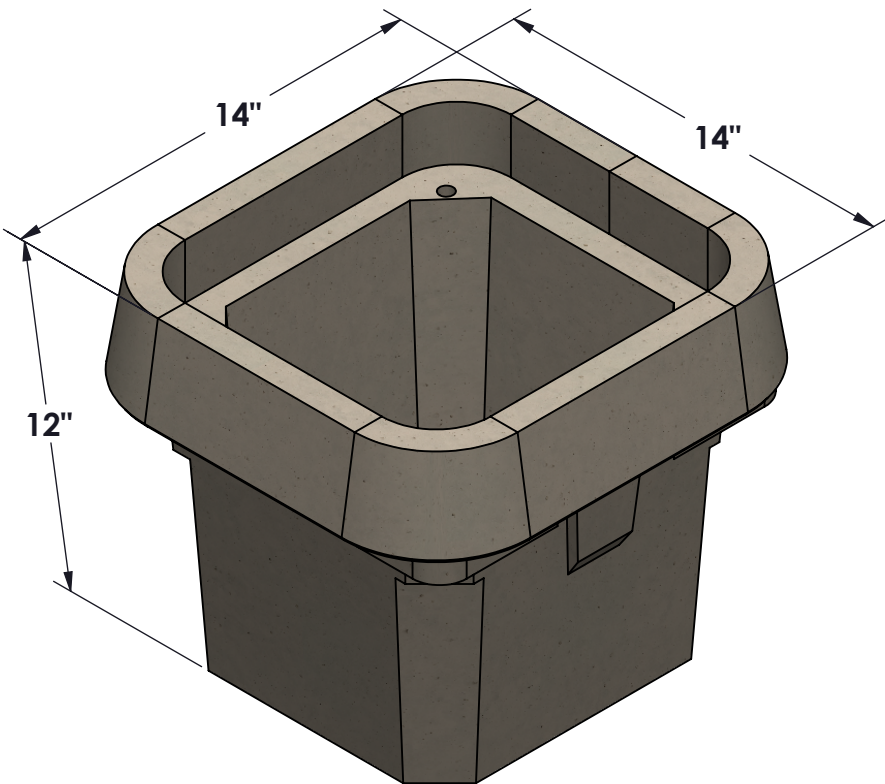
Body

Dimensions*	14" x 14" x 12"
Material	Polymer Concrete

Additional body depths available

Notes

Rating Tier 22



* All dimensions & weights are approximate.

Lateral Loading Requirements

Design Load: 800lbs/sq. ft
Test Load: 1200lbs/sq. ft

Vertical Loading Requirements

Design Load: 22,500lbs
Test Load: 33,750lbs