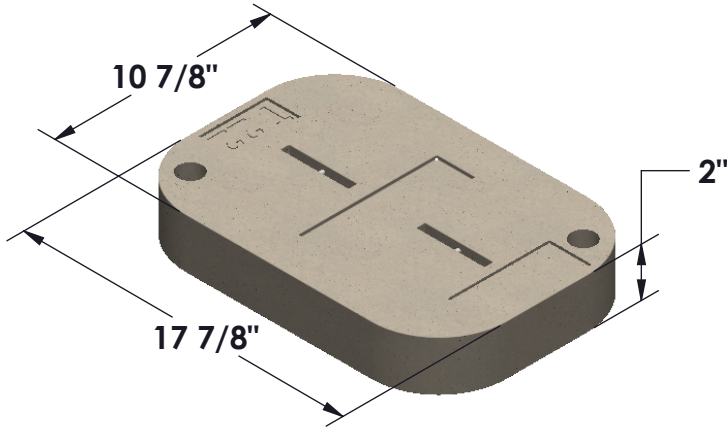




POLYMER CONCRETE BOX & COVER



MODEL 1118/18 PC



COVER

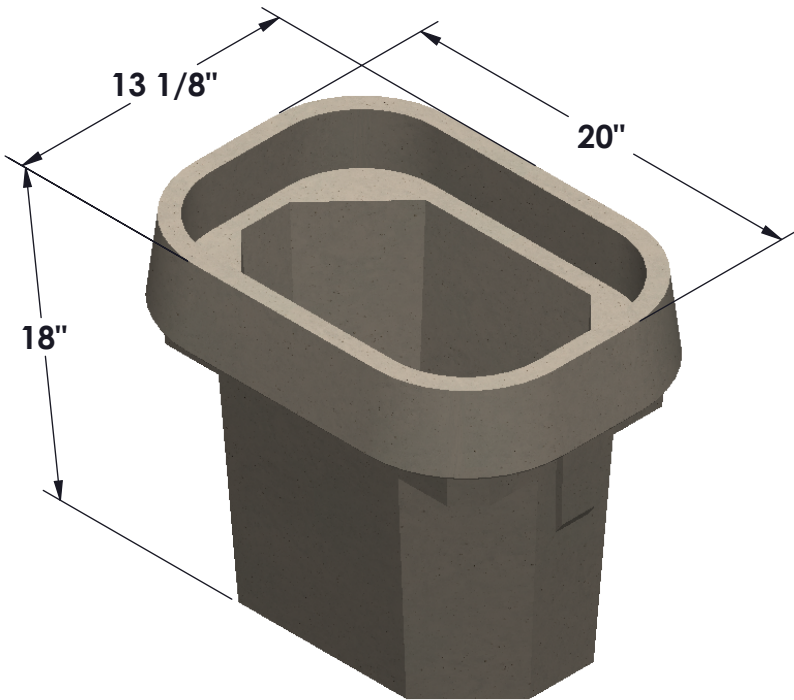
Dimensions*	17-7/8" x 10-7/8" x 2"
Material	Polymer Concrete
Style	Single Piece
Fasteners	3/8-16 x 3" SS Hex Bolt
Lift points	1/4" SS Rod

Custom logo available

Body

Dimensions*	20" x 13-1/8" x 18"
Material	Polymer Concrete

Additional body depths available



Notes

Rating Tier 22

* All dimensions & weights are approximate.

Lateral Loading Requirements

Design Load: 800lbs/sq. ft
Test Load: 1200lbs/sq. ft

Vertical Loading Requirements

Design Load: 22,500lbs
Test Load: 33,750lbs